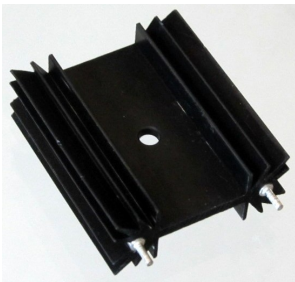
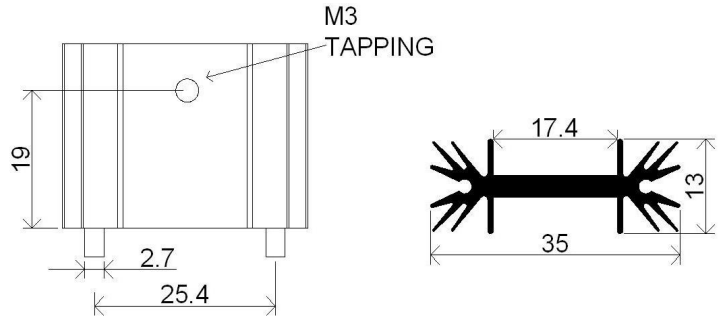
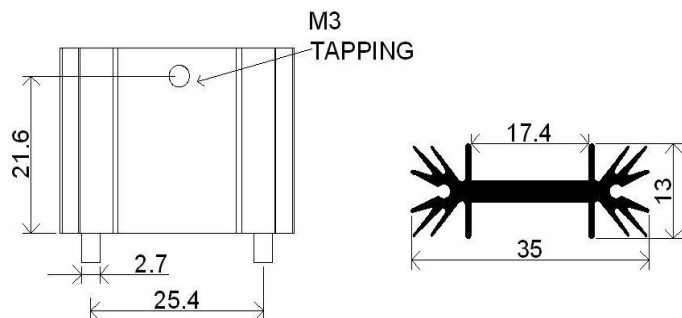
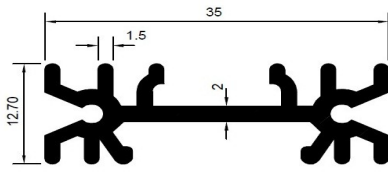


Part no	Package	Length	Rth(°c/w)	Pin Diameter
24D001	TO-220	25.5	13.5	2.7
24D002	TO-220	38.5	11.5	2.7
24D003	TO-220	51	9.5	2.7

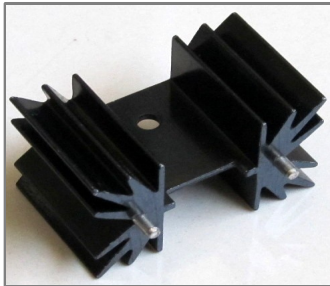
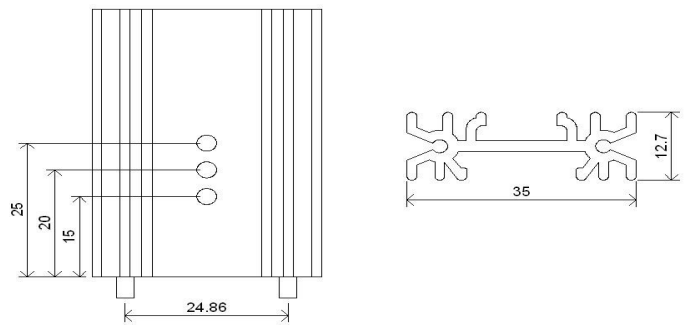


Part no	Package	Length	Rth(°c/w)	Pin Diameter
24D004	TO-218 TO-247	25.5	13.5	2.7
24D005	TO-218 TO-247	38.5	11.5	2.7
24D006	TO-218 TO-247	51	9.5	2.7
24D007	TO-218 TO-247	64	8	2.7

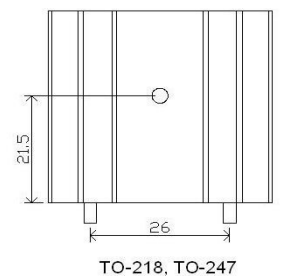
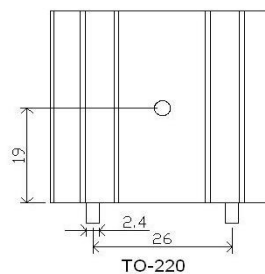
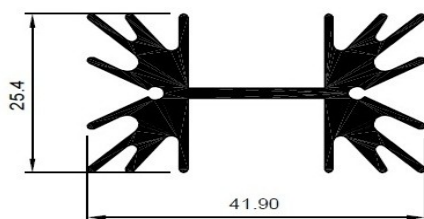


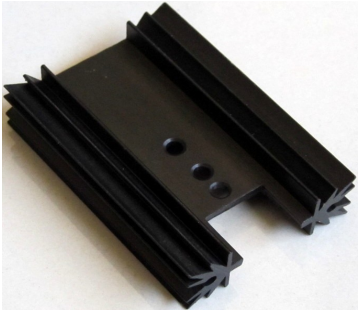


Part no	Package	Length	Rth(°c/w)	Pin Diameter
52D001	TO-220 TO-218 TO-247	25.5	11.5	2.7
52D002	TO-220 TO-218 TO-247	38.5	10.5	2.7
52D003	TO-220 TO-218 TO-247	50	9	2.7
52D004	TO-220 TO-218 TO-247	63	7	2.7

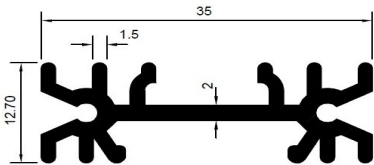
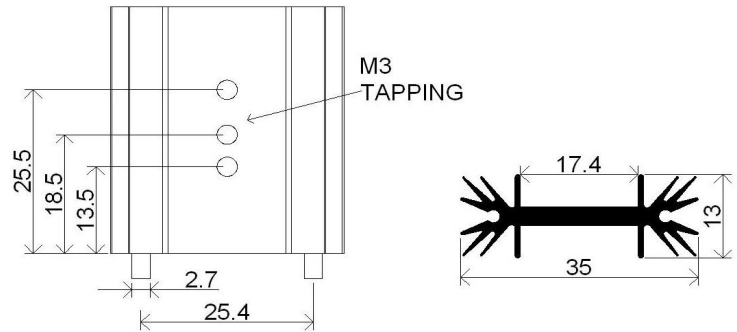


Part no	Package	Length	Rth(°c/w)	Pin Diameter
53D001	TO-220 TO-218 TO-247	25.5	13	2.7
53D002	TO-220 TO-218 TO-247	38.5	10.5	2.7
53D003	TO-220 TO-218 TO-247	51	8.5	2.7
53D004	TO-220 TO-218 TO-247	64	7	2.7





Part no	Pakage	Length	Rth(°c/w)	Pin Diameter
24D008	TO-220 TO-202	25.5	13.5	2.7
24D009	TO-220 TO-202	38.5	11.5	2.7
24D010	TO-220 TO-202	51	9.5	2.7
24D011	TO-220 TO-202	64	8	2.7



Part no	Pakage	Length	Rth(°c/w)	Pin Diameter
52D005	TO-220 TO-202	25.5	11.5	2.5
52D006	TO-220 TO-202	38.5	10.4	2.5

