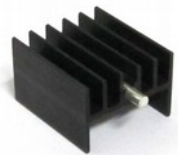
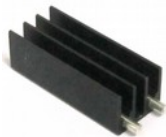
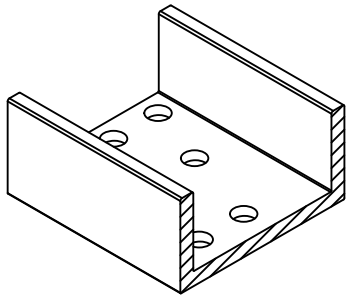


JYOTI HEATSINKS

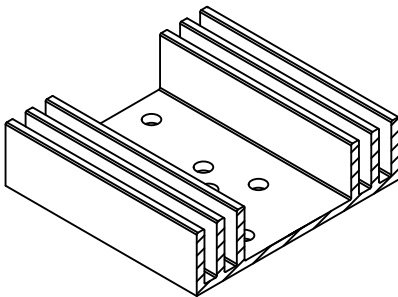
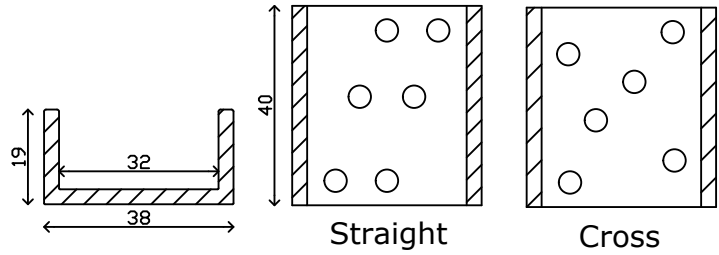
STANDARD HEATSINK CATALOG



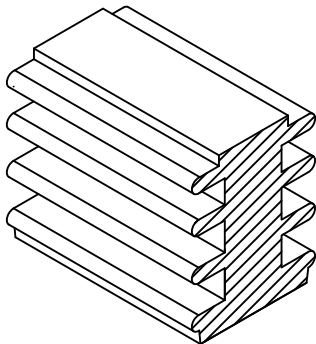
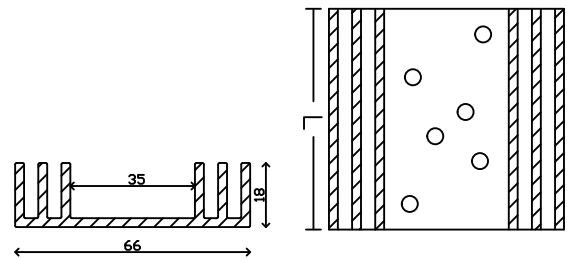
1



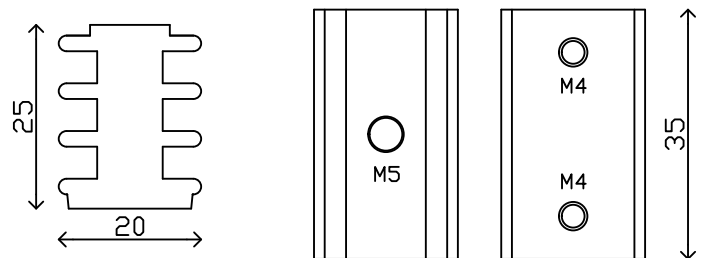
Part no	Pakage	Length	Mounting
1D01	TO-03	40	Straight
1D02	TO-03	40	Cross



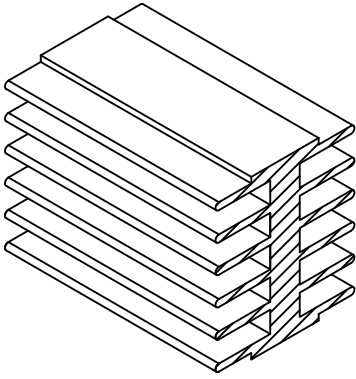
Part no	Pakage	"L"	Type
3D01	TO-03	62	1 TR
3D02	TO-03	62	2 TR
3D03	TO-03	125	4 TR
3D04	TO-03	190	6 TR
3D05	TO-03	250	8 TR
3D06	TO-03	305	10 TR



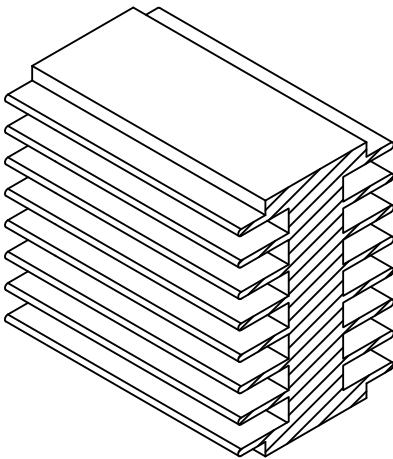
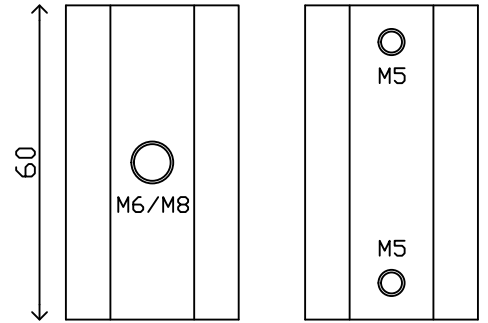
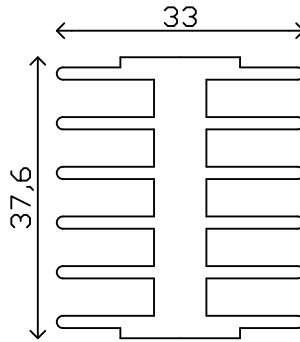
Part no	Pakage	Length	Hole
15K1	SCR & Diode 6 AMPS	35	M4- 2 nos at Bottom M5- 1 nos at Top



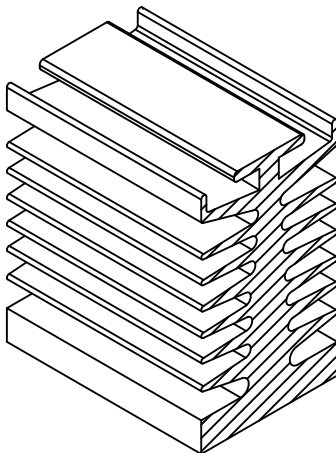
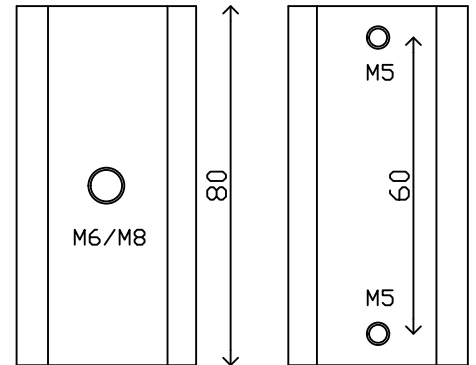
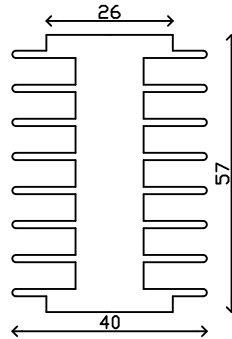
2



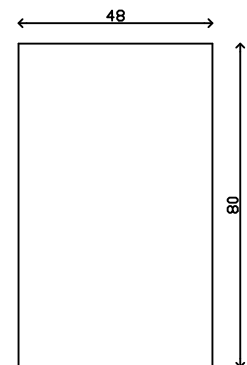
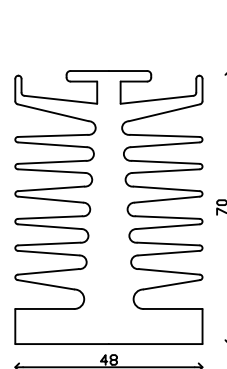
Part no	Pakage	"L"	Hole
16K2	SCR & Diode 12 AMPS	60	M5- 2 nos at Bottom M6/M8- 1 nos at Top



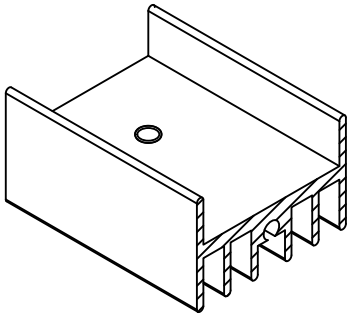
Part no	Pakage	Length	Hole
17K3	SCR & Diode 25 AMPS	80	M5- 2 nos at Bottom M6/M8- 1 nos at Top



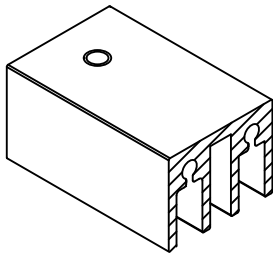
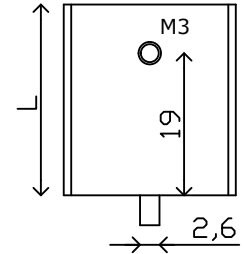
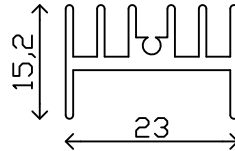
Part no	Pakage	Length	Hole
18K4	70 Amp Diode SCR, SSR.	80	As Required



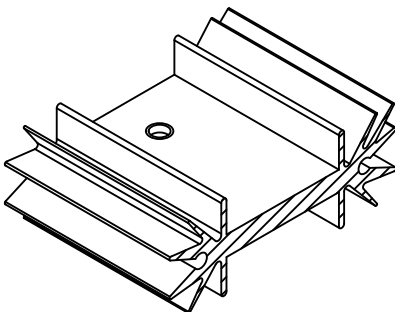
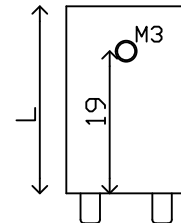
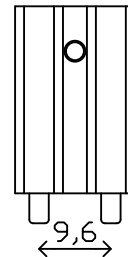
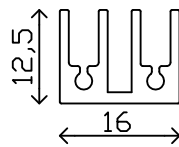
3



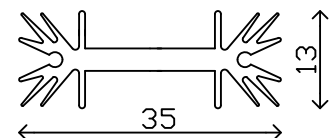
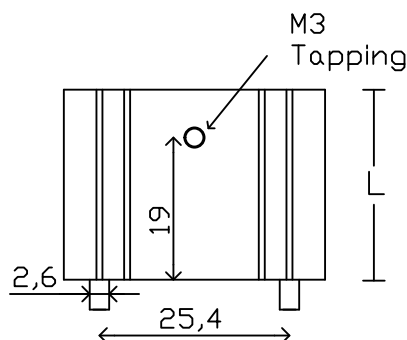
Part no	Pakage	"L"	Pin Dia
22D01	TO-202 / TO-220	25.5	2.6
22D02	TO-202 / TO-220	38	2.6
22D01	TO-202 / TO-220	51	2.6
22D02	TO-202 / TO-220	64	2.6



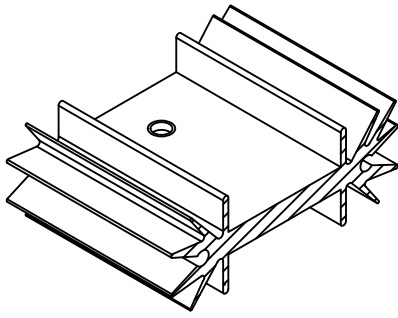
Part no	Pakage	"L"	Pin Dia
23D01	TO-202 / TO-220	25.5	2.6
23D02	TO-202 / TO-220	38	2.6



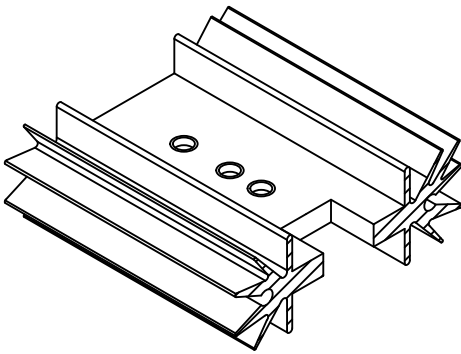
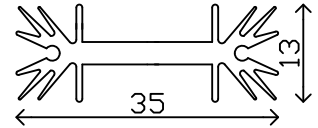
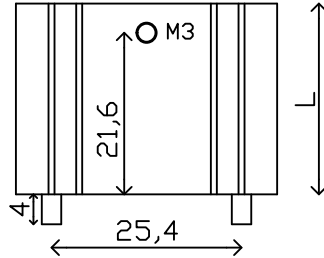
Part no	Pakage	"L"	Pin Dia
24D01	TO-220	25.5	2.6
24D02	TO-220	38	2.6
24D03	TO-220	51	2.6



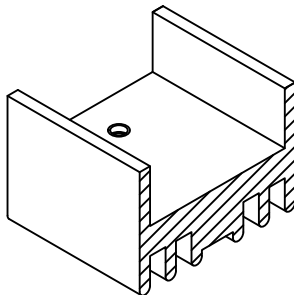
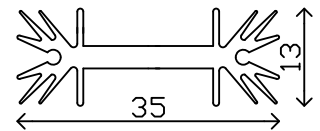
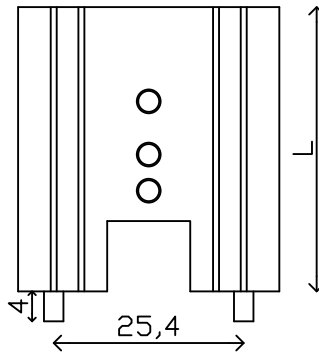
4



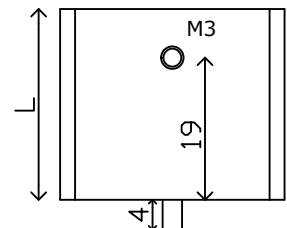
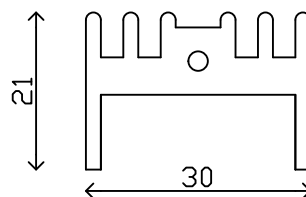
Part no	Pakage	"L"	Pin Dia
24D04	TO-218/ TO-247	25.5	2.6
24D05	TO-218/ TO-247	38	2.6
24D06	TO-218/ TO-247	51	2.6
24D07	TO-218/ TO-247	64	2.6



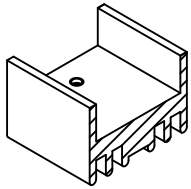
Part no	Pakage	"L"	Pin Dia
24D08	TO-220/ TO-202	25.5	2.6
24D09	TO-220/ TO-202	38	2.6
24D10	TO-220/ TO-202	51	2.6
24D11	TO-220/ TO-202	64	2.6



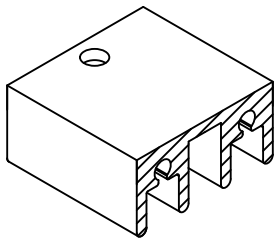
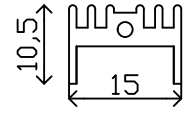
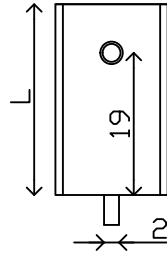
Part no	Pakage	"L"	Pin Dia
110D01	TO-220	25.5	2.6
110D02	TO-220	38	2.6



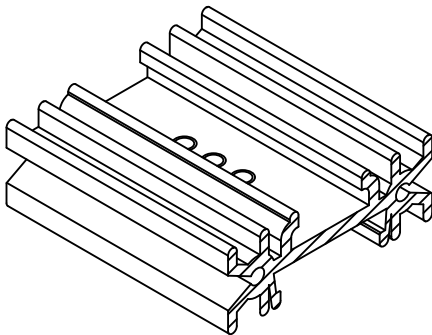
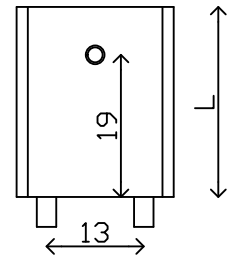
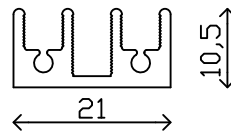
5



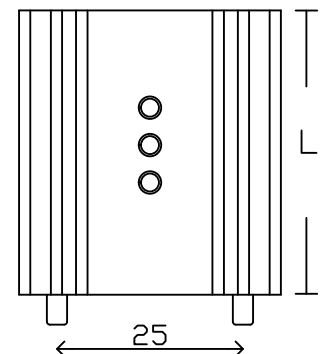
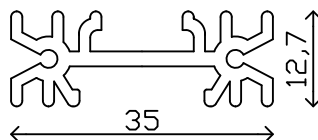
Part no	Pakage	"L"	Pin Dia
111D01	TO-220	25.5	2
111D02	TO-220	38	2



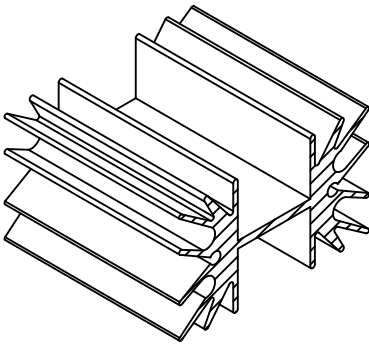
Part no	Pakage	"L"	Pin Dia
130D01	TO-220	25.5	2.6
130D02	TO-220	38	2.6



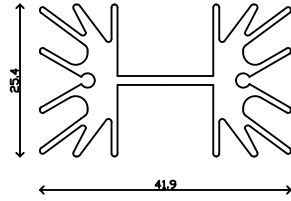
Part no	Pakage	"L"	Pin Dia
152D01	TO-218 ,TO-220, TO-247	25.5	2.6
152D02	TO-218 ,TO-220, TO-247	38	2.6
152D01	TO-218 ,TO-220, TO-247	50	2.6
152D02	TO-218 ,TO-220, TO-247	63	2.6



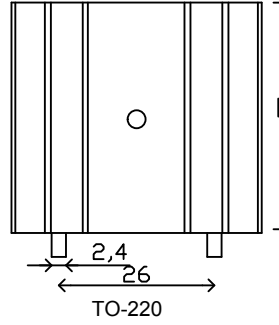
6



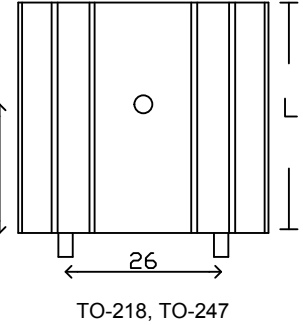
Part no	Package	"L"	Pin Dia
153D01	TO-218 ,TO-220, TO-247	25.5	2.6
153D01	TO-218 ,TO-220, TO-247	38	2.6
153D01	TO-218 ,TO-220, TO-247	51	2.6
153D01	TO-218 ,TO-220, TO-247	64	2.6



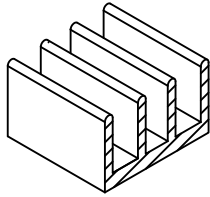
19



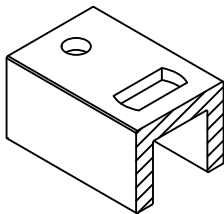
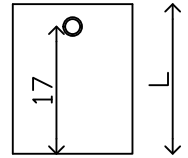
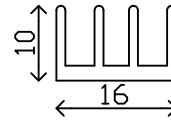
TO-220



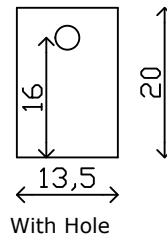
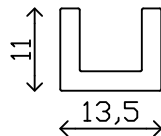
TO-218, TO-247



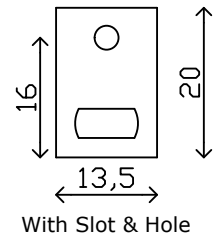
Part no	Package	"L"
154D01	TO-220	20
154D02	TO-220	25



Part no	Package	"L"	Type
155D01	SOT-32	20	With Hole
155D02	SOT-32	20	With Slot & Hole



With Hole



With Slot & Hole



 **JYOTI**
HEATSINKS PVT.LTD.

'S' BLOCK , PLOT NO. W -109 , BHOSARI MIDC , BHOSARI , PUNE-411026.
MAHARASHTRA , INDIA . Tel +91-020-6614 2983 www.jyotiinds.com , info@jyotiinds.com .